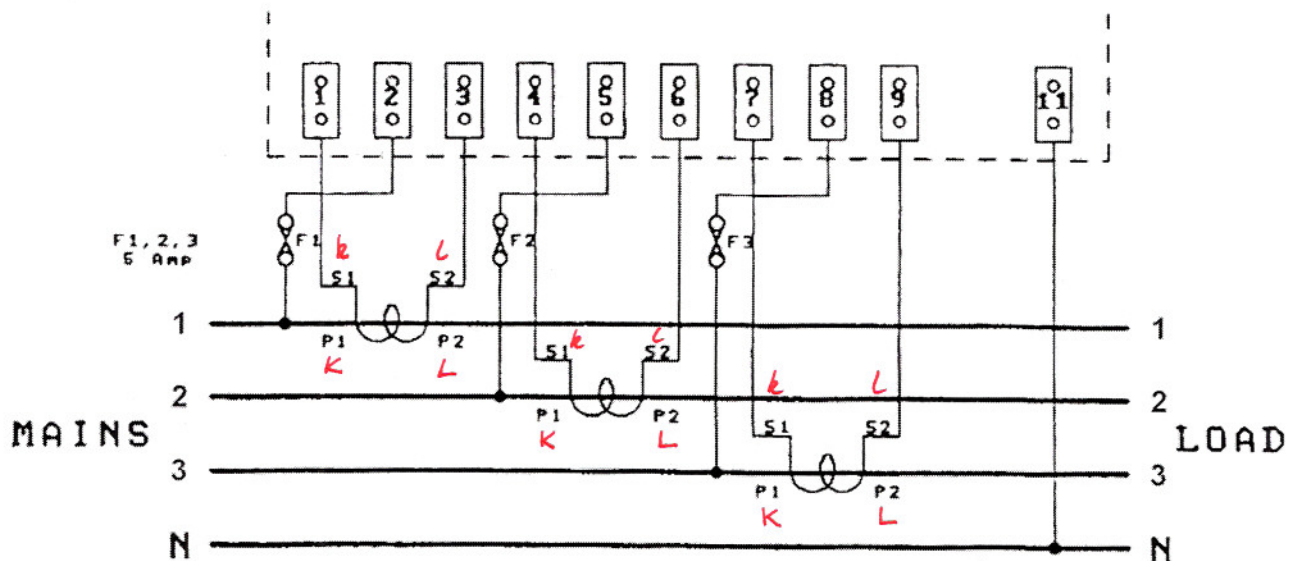


CURRENT TRANSFORMER WIRING DIAGRAM & INSTRUCTIONS

NOTE: WE SUPPLY THESE METERS ON THE ASSUMPTION THAT THEY WILL BE INSTALLED BY A QUALIFIED ELECTRICIAN FAMILIAR WITH THE INSTALLATION OF METERING EQUIPMENT



ENSURE ALL CTS ARE INSTALLED AS PER WIRING DIAGRAM

eg - **CORRECT POLARITY OF CTS IS ESSENTIAL** ie P1 - MAINS, P2 - LOAD OUTGOING. Check ALL secondary 1 and secondary 2 are correct as per wiring diagram otherwise problems will result with the REGISTER DISPLAYS

For **HEALTH AND SAFETY** reasons it should be noted that if a current transformer is operated with the secondary open circuited, **DANGEROUS** voltages may be generated at the secondary terminals or leads..

Meters Operated by Current Transformers (CTs)

(Note: Different types of CT Markings – P1=K, P2=L, S1=k, S2=l)

1. Wire the meter according to the drawing inside the terminal cover. Note the voltage inputs to the meter must be externally fused.
2. The CT cables should be kept as short as possible, use 2.5mm cable to maintain accuracy.
3. CTs must be of the correct ratio for the meter fitted (e.g. 200:5A).
4. CTs must be fitted onto the cables the correct way round so that the K (or P1) side is towards the mains.
5. The cables from the CTs must be connected the correct way round observing k (or S1) and l (or S2) markings on the meter and CT.
6. The CTs must be on the correct phase e.g. if phase 1 voltage goes to terminal 2 the phase 1 CT must go to terminals 1 and 3. The voltage terminals are between the two CT terminals for each phase on a CT operated meter.
7. Check the RST indicator, this should be on – if it's off one or more phase voltages are missing – if it flashes the phases are in the wrong order, two will have to be swapped over (the CT wires will also have to be moved to keep them with the right voltage).
8. Check the meter is operating in the correct direction – the arrow symbol should show left to right. Open all the voltage fuses then try one phase on at a time and check each phase makes the meter go in the correct direction.
9. Check the red light, this should flash if power is being measured.